

Ultra-Slim Double Arm Flat Screen Wall Mount with Tilt and Swivel

For more information please visit www.btechavmounts.com/BT8221

BT8221

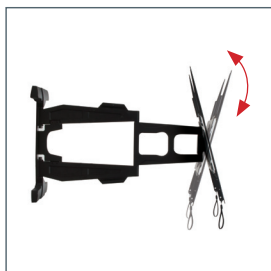


BT8221

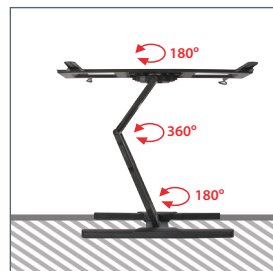
Full Motion Double Arm Flat Screen Wall Mount with Tilt and Swivel

Designed for large screens
up to 65" (165cm) / 36kg (80lbs)

- Full motion mount - ideal for corner mounting
- Universal screen interface fits screens with VESA and non-VESA mounting patterns from 300 x 300mm up to 600 x 400mm
- Easy tilt adjustment +/-15° (no tools required)
- Features three swivel points: 180° at wall, 360° at central pivot and 180° at interface
- Ultra-slim design mounts screen only 37mm (1.5") from wall when folded flat
- Arm extends up to 560mm (22")
- Attractive coverplates included to hide fixings
- Integrated cable management and spirit level bubble
- Suitable for concrete / brick or stud walls up to 16"
- Simple 'hook-on' installation with all mounting hardware included
- Available in a stylish, die-cast Satin Black finish



Features +/-15° tool-less tilt for optimum screen positioning



Features three swivel points: 180° at wall, 360° at central pivot and 180° at interface



Secure mounting options
(Padlock not included)

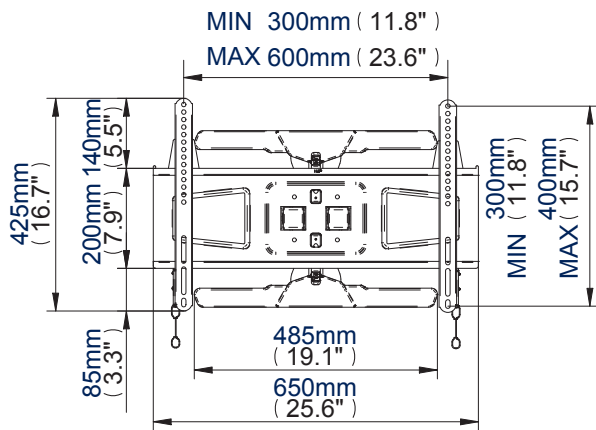


Integrated cable management

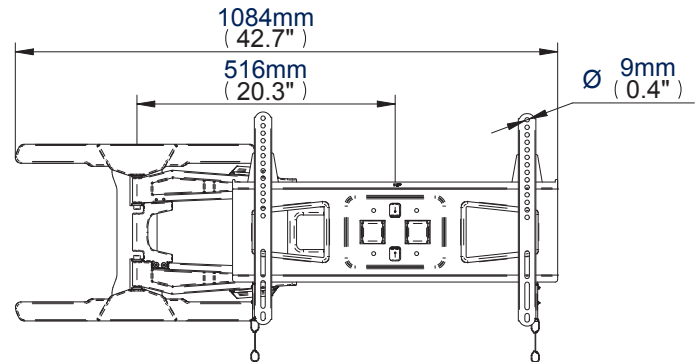
Ultra-Slim Double Arm Flat Screen Wall Mount with Tilt and Swivel

For more information please visit www.btechavmounts.com/BT8221

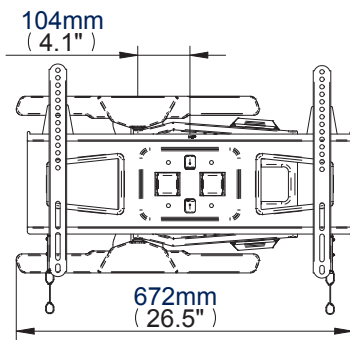
BT8221



Front View with Maximum Extension



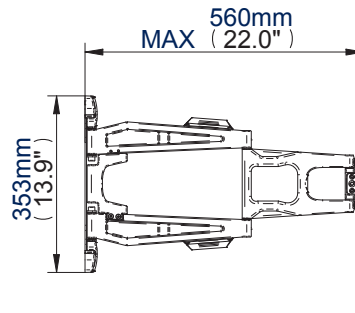
Front View with Arm Extended to Side



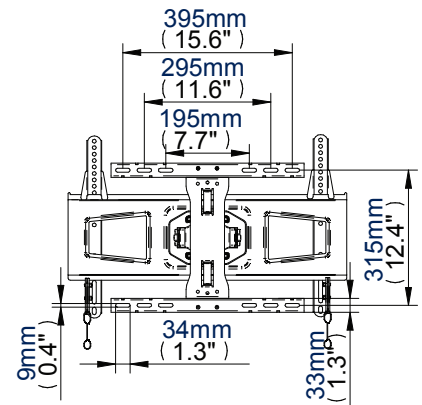
Front View Flat to Wall



Side View Flat to Wall



Side View Maximum Extension



Reverse View of Wall Plate

Colour:	Order Ref:	EAN Code:	Master Carton Qty:	Inner Carton Qty:	Master Carton Weight:	Master Carton Cube:
Black	BT8221/B	5019318759031	4	N/A	35.5kg (78.3lbs)	0.097cbm (3.44cuft)

**This information is intended as a guide only and reflects the current specification at the time of print.
B-Tech accepts no liability for the accuracy of the information contained in this document.**